



Amana® 29-inch Wide Amana® Bottom-Freezer Refrigerator with EasyFreezer™ Pull-Out Drawer -- 18 cu. ft. Capacity

ABB1924BRM

Available Finishes/Colours



 ABB1924BRB
Black

 ABB1924BRM
Stainless Steel

 ABB1924BRW
White

Dimensions

Depth	33 3/8
Height	66 15/16
Width	29 5/8

Details

Counter Depth	No
Door Style	Flat

This 29-inch Wide Amana® Bottom-Freezer Refrigerator features an EasyFreezer™ Pull-Out Drawer that opens and closes smoothly, even when fully loaded. Store meats and cheeses in the Deli Drawer to make your favorite go-to sandwich. And you'll know where all your frozen treats are at a glance with our Glide-Out Lower Freezer Basket and Quick Split™ Organizer.

AHAM Volumes And Shelf Area

Freezer Volume (Cu Ft)	5.73
Refrigerator Volume (Cu Ft)	12.94

Configuration and Overview

Advance Foam Insulation	99.9% lower Global Warming Potential and Better Energy Performance
-------------------------	--

Counter Depth	No
---------------	----

Controls

Control Type	Electronic
--------------	------------

Air Filter Indicator/Reset	No
----------------------------	----

Automatic Defrost	Yes
-------------------	-----

Verrouillage des commandes	No
----------------------------	----

Door Ajar/Open Alarm	No
----------------------	----

LCD Touch Screen	No
------------------	----

Control Lockout	No
-----------------	----

Control Location	Interior Up Front
------------------	-------------------

Water Filter Indicator/Reset	No
------------------------------	----

Max Cool/Fast Cool	No
--------------------	----

Details

Advance Foam Insulation	99.9% lower Global Warming Potential and Better Energy Performance
-------------------------	--

Cooling Type	Single Evaporator
--------------	-------------------

Top Features

Humidity-Controlled Garden Fresh™ Crisper Bins

Gallon Door Storage

Adjustable Door Bins

Manuals & Literature:

 [Dimension Guide](#)  [Energy Guide](#)

 [Use and Care Guide](#)  [Warranty Information](#)

Amana® Bottom Mount Refrigerator

PRODUCT MODEL NUMBERS

ABB1924BR ABB2224BR

Electrical: A 115-volt, 60-Hz, AC-only, 15- or 20-amp fused, grounded electrical supply is required. It is recommended that a separate circuit serving only your refrigerator be provided. Use an outlet that cannot be turned off by a switch. Do not use an extension cord.

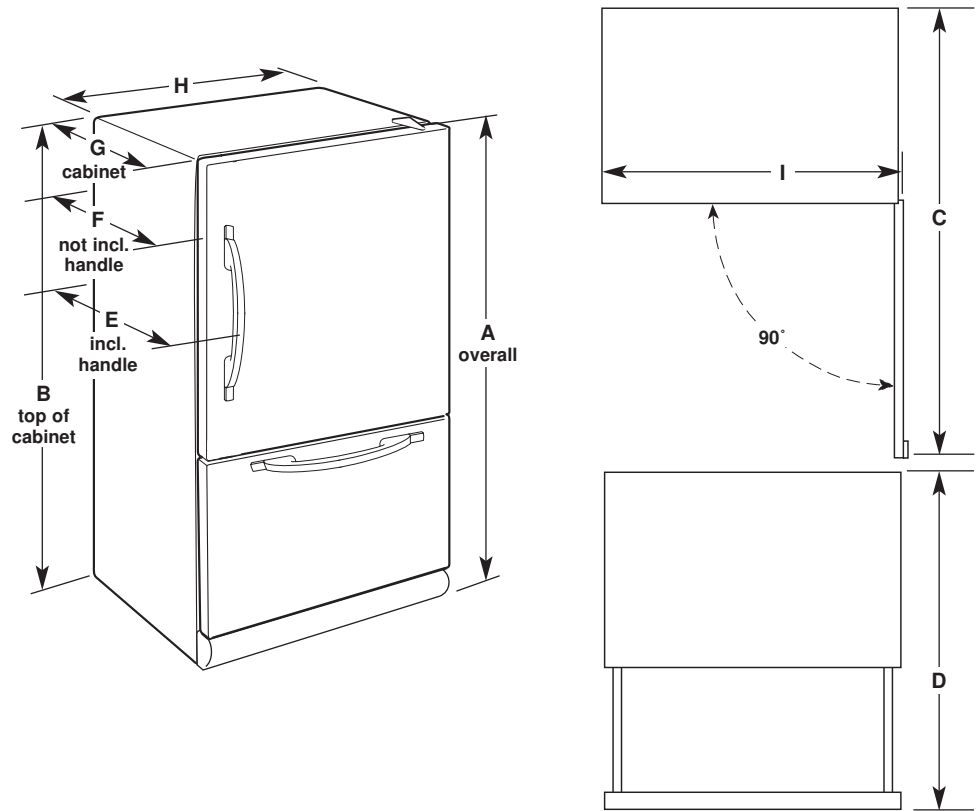
NOTE: Before performing any type of installation, cleaning, or removing a light bulb, turn the control (Thermostat, Refrigerator or Freezer Control depending on the model) to OFF and then disconnect the refrigerator from the electrical source. When you are finished, reconnect the refrigerator to the electrical source and reset the control (Thermostat, Refrigerator or Freezer Control depending on the model) to the desired setting. See "Using the Controls."

Water: A cold water supply with water pressure between 35 and 120 psi (241 and 827 kPa) is required to operate ice maker and water dispenser. If you have questions about your water pressure, call a licensed, qualified plumber.

IMPORTANT: The pressure of the water coming out of a reverse osmosis system going to the water inlet valve of the refrigerator needs to be between 35 and 120 psi (241 and 827 kPa).

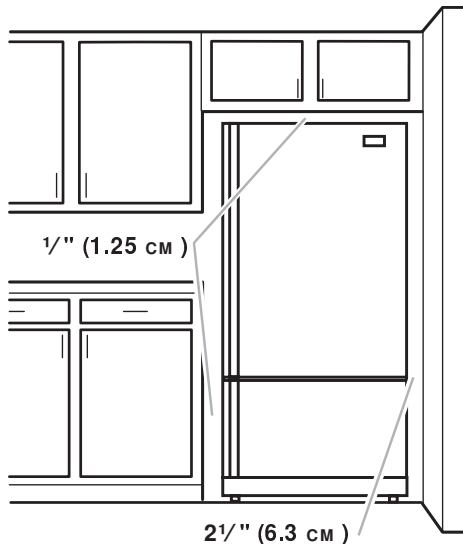
Reverse Osmosis Water Supply: If a reverse osmosis water filtration system is connected to your cold water supply, the water pressure to the reverse osmosis system needs to be a minimum of 40 to 60 psi (276 to 414 kPa).

PRODUCT DIMENSIONS



Model Number	Model Size	Height - Overall "A"	Height - Top of Cabinet "B"	Depth - Doors Open 90° "C"	Depth - Drawer Open "D"	Depth - With Handles "E"	Depth - Without Handles "F"	Depth - Cabinet Only "G"	Width - Cabinet "H"	Width - Door Open 90° "I"
ABB1924BR	18.5 cu.ft.	66 ⁷ / ₈ " (169.9 cm)	65 ¹ / ₂ " (166.4 cm)	59" (149.9 cm)	50 ³ / ₈ " (128.9 cm)	33 ³ / ₈ " (84.8 cm)	30 ⁷ / ₈ " (78.4 cm)	28 ¹ / ₈ " (71.4 cm)	29 ⁵ / ₈ " (75.2 cm)	32 ¹ / ₂ " (81.6 cm)
ABB2224BR	21.9 cu.ft.	69 ¹⁵ / ₁₆ " (177.6 cm)	68 ¹ / ₂ " (174.0 cm)	62" (157.5 cm)	50 ³ / ₈ " (128.9 cm)	33 ³ / ₈ " (84.8 cm)	30 ⁷ / ₈ " (78.4 cm)	28 ¹ / ₈ " (71.4 cm)	32 ⁵ / ₈ " (82.9 cm)	35 ¹ / ₂ " (89.5 cm)

LOCATION REQUIREMENTS



To ensure proper ventilation for your refrigerator, allow for a 1/2" (1.25 cm) space on each side and at the top. Allow at least 1" (2.54 cm) between back of cabinet and the wall. If your refrigerator has an ice maker, allow extra space at the back for the water line connections.

If you are installing your refrigerator next to a fixed wall, leave 2 1/2" (6.3 cm) minimum on the hinge side (some models require more) to allow for the door to swing open.

NOTE: This refrigerator is intended for use in a location where the temperature ranges from a minimum of 55°F (13°C) to a maximum of 110°F (43°C). The preferred room temperature range for optimum performance, which reduces electricity usage and provides superior cooling, is between 60°F (15°C) and 90°F (32°C). It is recommended that you do not install the refrigerator near a heat source, such as an oven or radiator.