



4.4 cu. ft. I.E.C. Top Load Washer with Soaking Cycles, 12 Cycles

WTW4855HW

Available Finishes/Colours

- WTW4855HW
White

Care for the whole family's fabrics with this large capacity top load washing machine. The Smooth Spiral stainless steel wash basket helps prevent snags and the dual action agitator gives fabrics a thorough clean. Choose your water level on any cycle with Water Level Selection and wash a load in as little as thirty minutes with the Quick Wash cycle.

Top Features

Water Level Selection

Smooth Spiral Stainless Steel Wash Basket

Two-Way Wash Action Agitator

Manuals & Literature:

- [Dimension Guide](#) [Energy Guide](#)
 [Installation Guide](#) [Use and Care Guide](#)
 [Warranty Information](#)

Dimensions		Details	
Depth	27	Advanced Vibration Control™	Yes
Height	44	Automatic Load Size Sensing Technology	Yes
Width	27 1/2	Dispense System	Bleach & Fabric Softener
Exterior		Eco Monitor/Efficiency Monitor	No
Lid/Door Finish	Powder Coat	Fan Type	No
Slow Close Lid	No	Internal Heater	No
Window	No	Motor Horsepower	1/4 HP
Controls		Suspension System	4 Springs 4 Dampers
Automatic Temperature Controls	Yes	Out of Balance Sensing	Yes
Control Type	Knobs		
Electronic Display Type	No		
Control Location	Rear Panel		
Feedback-Status Indicators	Cycle Complete, Fill, Final Spin, Lid Lock, Rinse, Sensing, Wash		

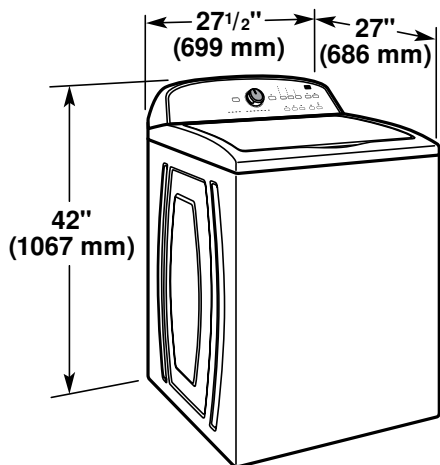


Top-Loading Automatic Washer

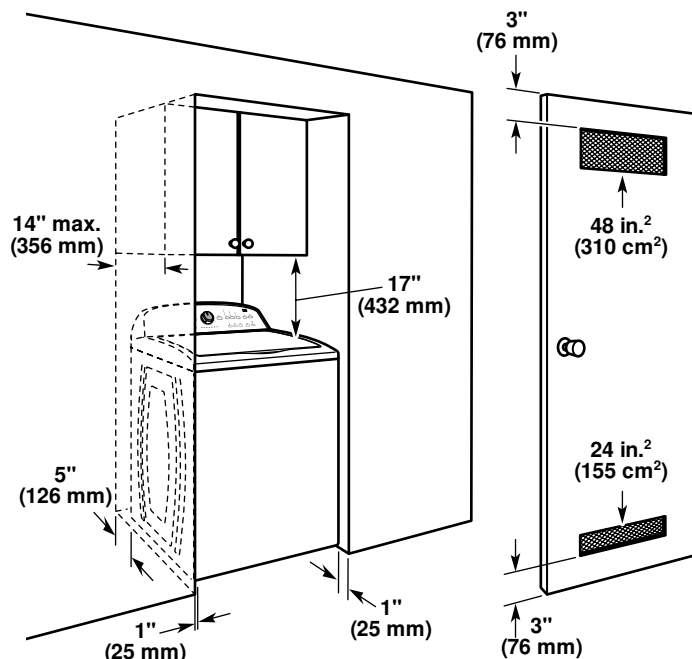
PRODUCT MODEL NUMBERS

WTW4900X, WTW5500X, WTW5550X, WTW5600X, WTW5640X, WTW5700X, WTW4800X, WTW4950X, WTW4880A, WTW4900A, WTW4910X, WTW5610X, WTW4800B, WTW4810B, WTW4850B, WTW4850X, WTW4900B, WTW4616F, WTW4816F

Washer dimensions



Recessed area or closet installation



Dimensions show recommended spacing allowed, except for closet door ventilation openings which are minimum required. This washer has been tested for installation with spacing of 0" (0 mm) clearance on the sides. Consider allowing more space for ease of installation and servicing, and spacing for companion appliances and clearances for walls, doors, and door moldings. Add spacing of 1" (25 mm) on all sides of washer to reduce noise transfer. If a closet door or louvered door is installed, top and bottom air openings in door are required.

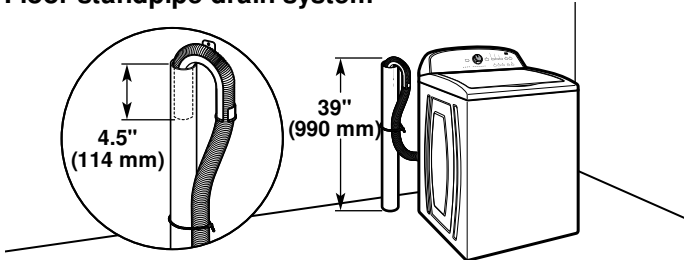
ELECTRICAL REQUIREMENTS

A 120 volt, 60 Hz., AC only, 15- or 20-amp, fused electrical supply is required. A time-delay fuse or circuit breaker is recommended. It is recommended that a separate circuit serving only this appliance be provided.

DRAIN SYSTEM

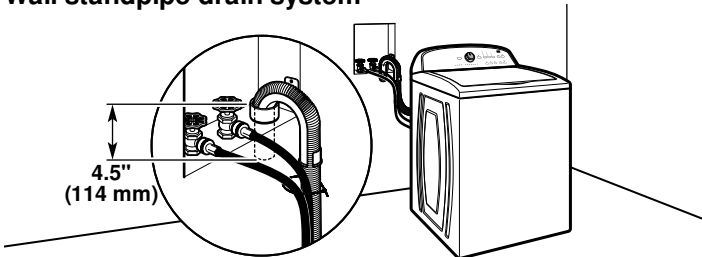
Drain system can be installed using a floor drain, wall standpipe, floor standpipe, or laundry tub. Select method you need.

Floor standpipe drain system



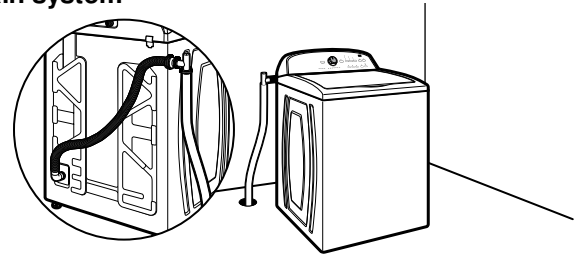
Minimum diameter for a standpipe drain: 2" (51 mm). Minimum carry-away capacity: 17 gal. (64 L) per minute. Top of standpipe must be at least 39" (990 mm) high; install no higher than 96" (2.44 m) from bottom of washer. If you must install higher than 96" (2.44 m), you will need a sump pump system.

Wall standpipe drain system



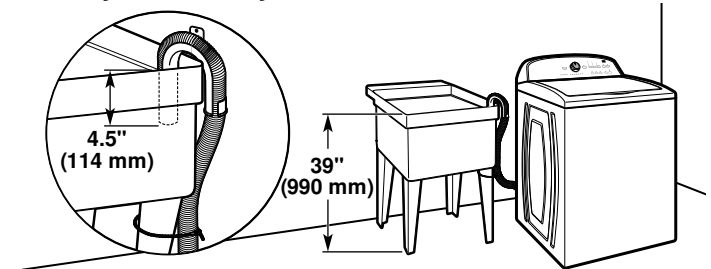
See requirements for floor standpipe drain system.

Floor drain system



Floor drain system requires a Siphon Break Kit (Part Number 285834), 2 Connector Kits (Part Number 285835), and an Extension Drain Hose (Part Number 285863) that may be purchased separately. To order, please see toll-free phone numbers in your Use and Care Guide. Minimum siphon break: 28" (710 mm) from bottom of washer. (Additional hoses may be needed.)

Laundry tub drain system



Minimum capacity: 20 gal. (76 L). Top of laundry tub must be at least 39" (990 mm) above floor; install no higher than 96" (2.44 m) from bottom of washer.

IMPORTANT: To avoid siphoning, no more than 4.5" (114 mm) of drain hose should be inside standpipe or below the top of wash tub. Secure drain hose with cable tie.