






## 20 cu. Ft. 30-Inch Width Standard Depth French Door Refrigerator with Interior Dispense

KRFF300ESS

### Available Finishes/Colours

	KRFF300EBS Black Stainless Steel with PrintShield™ Finish		KRFF300ESS Stainless Steel
	KRFF300EWH White		

### Dimensions

Depth	34 7/8
Height	68 3/8
Width	30 1/8

### Controls

Door Ajar/Open Alarm	Yes
Control Location	Interior Up Front
Max Cool/Fast Cool	Yes
Water Filter Indicator/Reset	Yes

### AHAM Volumes And Shelf Area

Freezer Volume (Cu Ft)	6.34
Refrigerator Volume (Cu Ft)	13.34

### Compatibility

Works With	No
------------	----

This 30-inch refrigerator is an ideal solution in small kitchens that can typically only accept a top-freezer refrigerator. French doors open with a narrow door swing similar to a side-by-side refrigerator. And inside you'll find appealing features including an interior water dispenser and a full-width pantry drawer that helps keep your fresh food organized and easy to reach.

### Top Features

**ExtendFresh™ Plus Temperature Management System**

**Interior Water Dispenser**

**Professionally-Inspired Design**

### Details

Cooling Type	Single Evaporator
Counter Depth	No
Door Style	Contour

### Exterior

Base Grille Color	Grey
Cabinet Color	Grey
Cabinet Finish	Textured
Number of Doors	3
Door Color	Stainless Steel
Door Finish	Smooth
Handle Color	Stainless Steel

### Controls

Control Type	Electronic
Air Filter Indicator/Reset	Yes
Automatic Defrost	Yes
LCD Touch Screen	No
Control Lockout	No

### Manuals & Literature:

-  [Dimension Guide](#)
-  [Energy Guide](#)
-  [Use and Care Guide](#)
-  [Warranty Information](#)

## Bottom Mount Refrigerator

### PRODUCT MODEL NUMBERS

KRFF300E

**Electrical:** A 115 volt, 60 Hz., AC only 15- or 20-amp fused, grounded electrical supply is required. It is recommended that a separate circuit serving only your refrigerator be provided. Use an outlet that cannot be turned off by a switch. Do not use an extension cord.

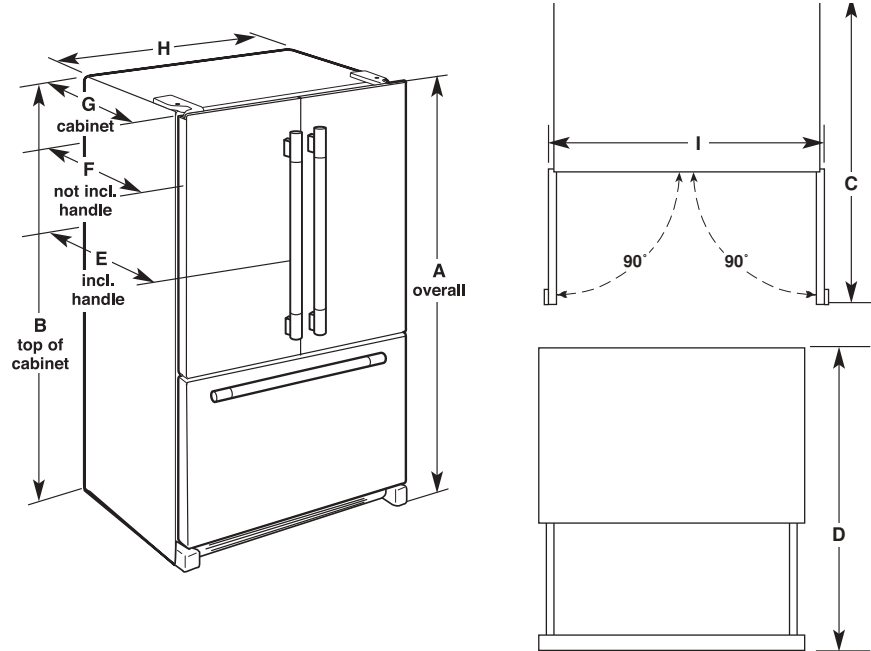
**Water:** A cold water supply with water pressure between 30 and 120 psi (207 and 827 kPa) is required to operate the water dispenser and ice maker. If you have questions about your water pressure, call a licensed, qualified plumber.

**Reverse Osmosis Water Supply:**

**IMPORTANT:** The pressure of the water supply coming out of a reverse osmosis system going to the water inlet valve of the refrigerator needs to be between 30 and 120 psi (207 and 827 kPa).

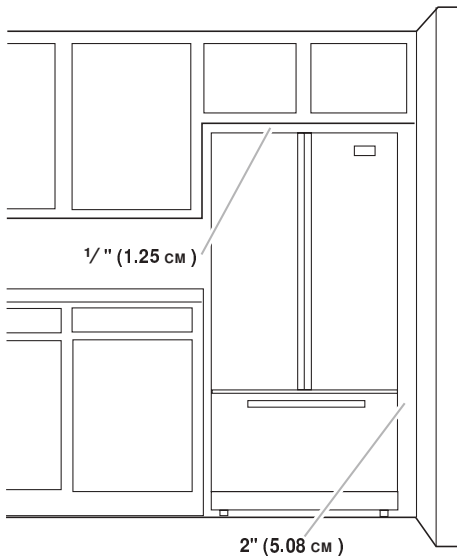
If a reverse osmosis water filtration system is connected to your cold water supply, the water pressure to the reverse osmosis system needs to be a minimum of 40 to 60 psi (276 to 414 kPa).

### PRODUCT DIMENSIONS



Model Size	Height - Overall "A"	Height - Top of Cabinet "B"	Depth - Doors Open 90° "C"	Depth - Drawer Open "D"	Depth - With Handles "E"	Depth - Without Handles "F"	Depth - Cabinet Only "G"	Width - Cabinet "H"	Width - Door Open 90° "I"
19.7	68 <sup>9</sup> / <sub>16</sub> " (173.7 cm)	67 <sup>1</sup> / <sub>16</sub> " (171.5 cm)	44 <sup>1</sup> / <sub>16</sub> " (112.1 cm)	52" (132.1 cm)	34 <sup>7</sup> / <sub>16</sub> " (88.6 cm)	32 <sup>1</sup> / <sub>16</sub> " (81.9 cm)	28" (71.1 cm)	30 <sup>1</sup> / <sub>16</sub> " (76.5 cm)	33 <sup>7</sup> / <sub>16</sub> " (86.4 cm)

### LOCATION REQUIREMENTS



To ensure proper ventilation for your refrigerator, allow for a 1/2" (1.25 cm) of space on each side and at the top. Allow for a 1" (2.54 cm) space behind the refrigerator. If your refrigerator has an ice maker, allow extra space at the back for the water line connections. When installing your refrigerator next to a fixed wall, leave a 2" (5.08 cm) minimum space between the refrigerator and wall to allow the door to swing open.

**NOTE:** This refrigerator is intended for use in a location where the temperature ranges from a minimum of 55°F (13°C) to a maximum of 110°F (43°C). The preferred room temperature range for optimum performance, which reduces electricity usage and provides superior cooling, is between 60°F (15°C) and 90°F (32°C). It is recommended that you do not install the refrigerator near a heat source, such as an oven or radiator.